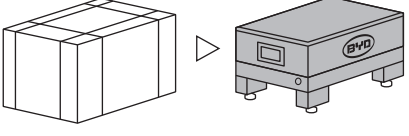


# B-BOX HIGH VOLTAGE INSTALLATION SHORT INSTRUCTION

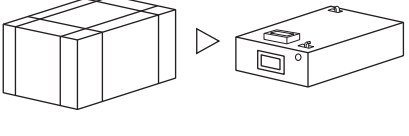
V1.1

**1.**

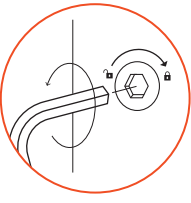
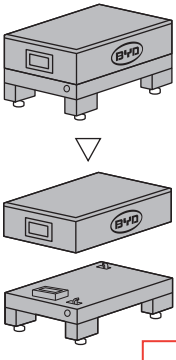
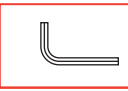
BMU + Base



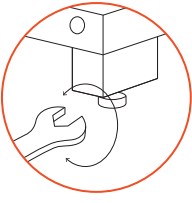
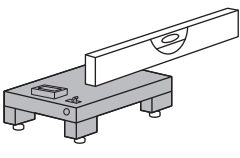
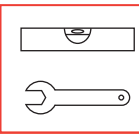
n=5-9 Module



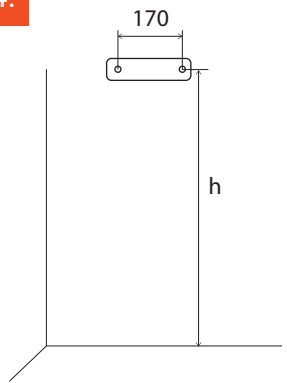
**2.**

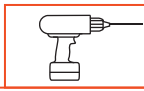
**3.**

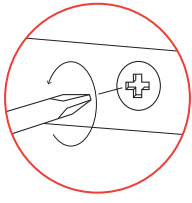
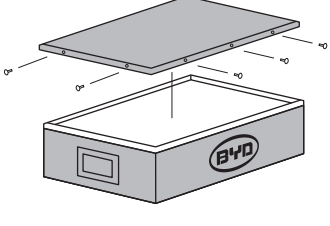
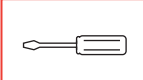
**4.**



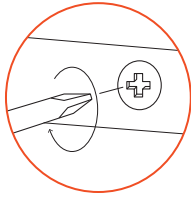
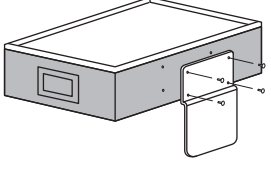
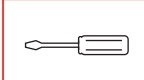
n	5	6	7	8	9
h	788	908	1028	1148	1268



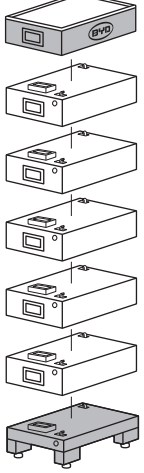
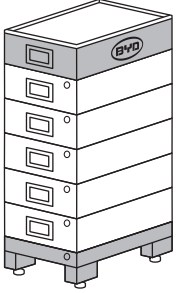
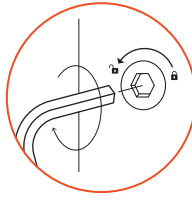

**5.**

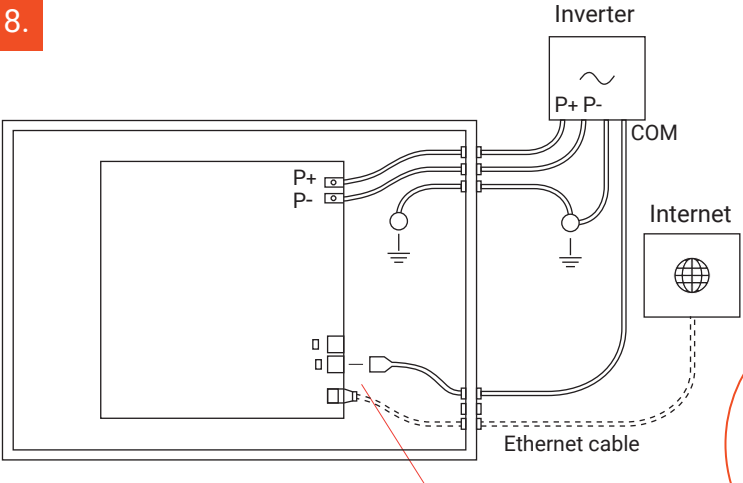
**6.**

**7.**

**8.**

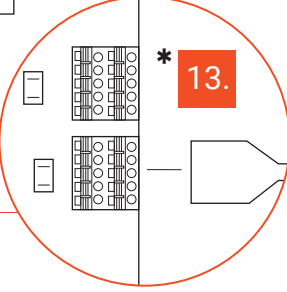


Inverter

P+ P- COM

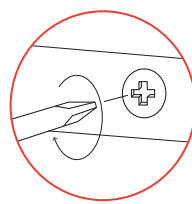
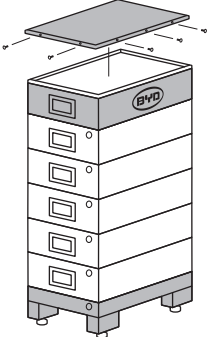
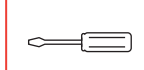
Internet

Ethernet cable



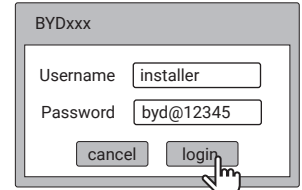
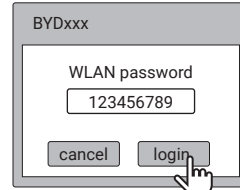
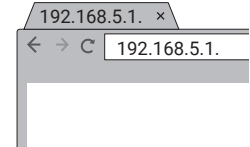
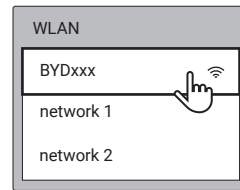
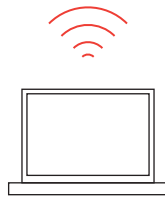
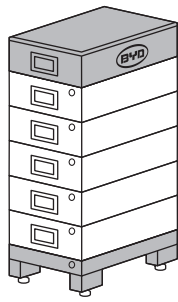
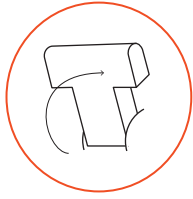
\* 13.

**9.**

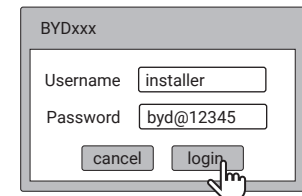
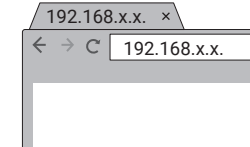
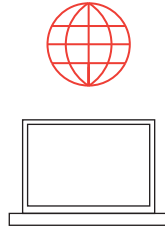
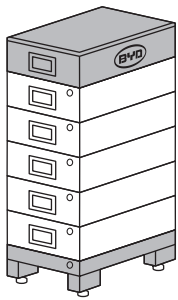
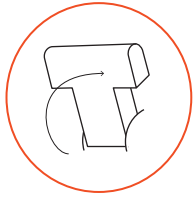
10a.

ON

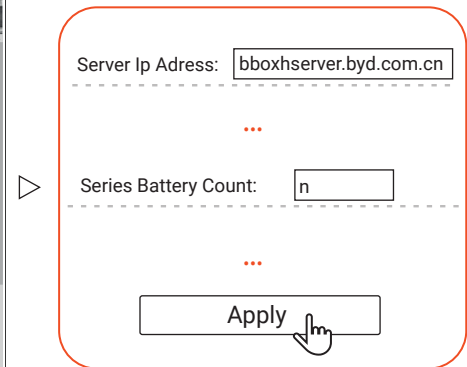
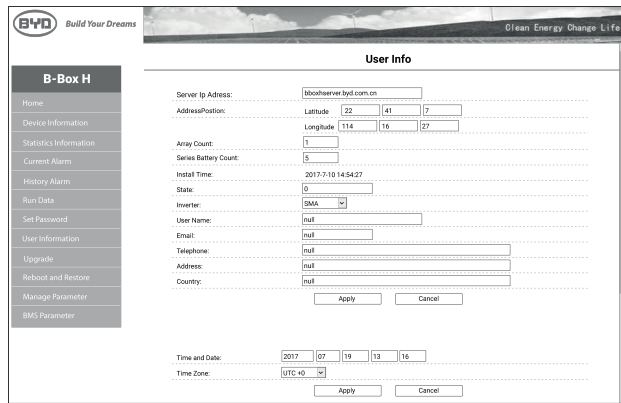
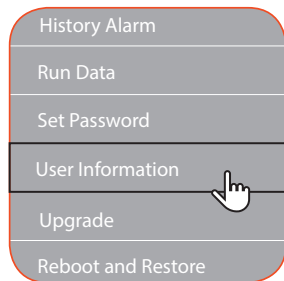


10b.

ON

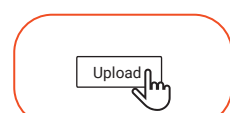
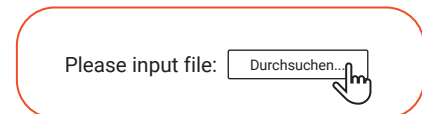
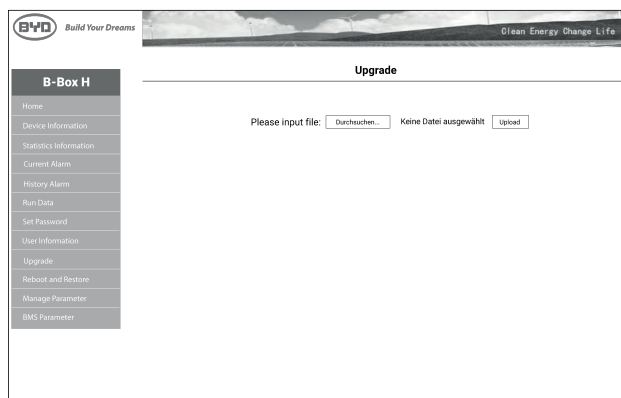
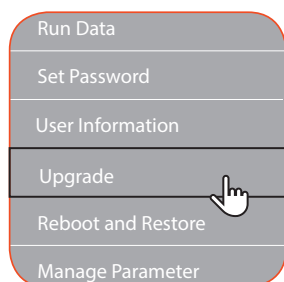


11.

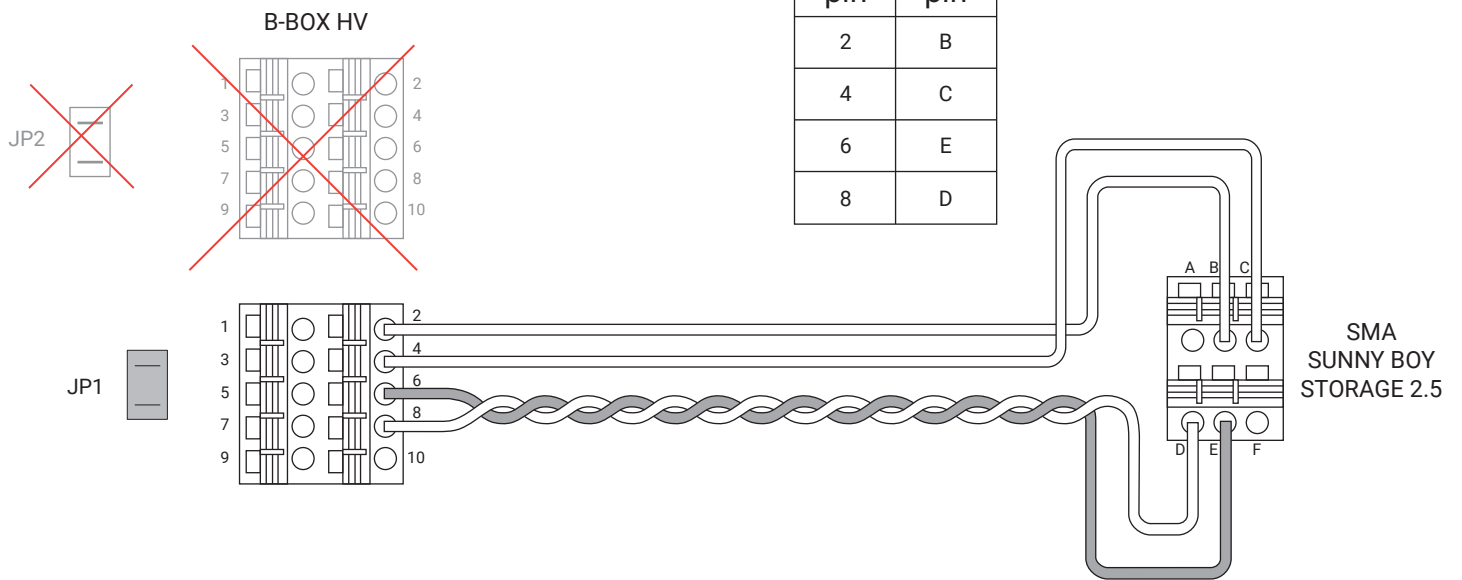


n=5-9 Module

12.

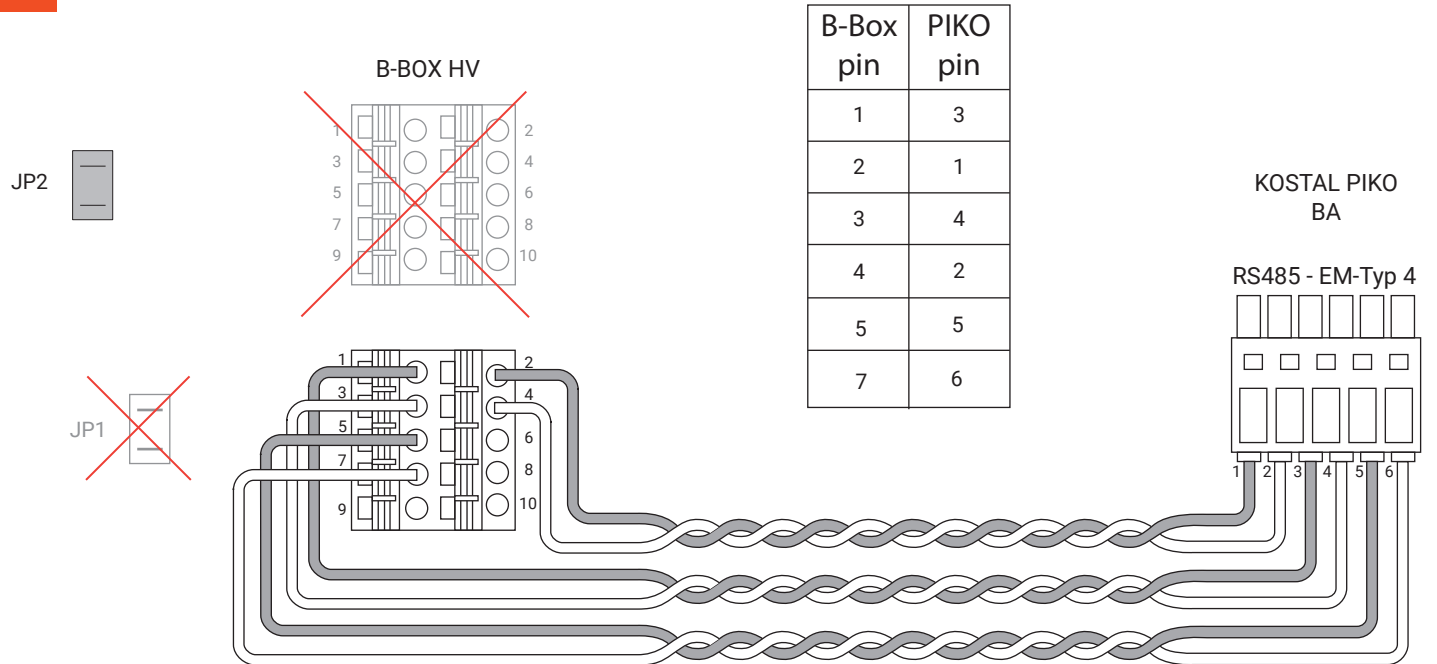


### 13a. SMA Sunny Boy Storage 2.5



SMA Sunny Boy Storage 2.5 software version  $\geq$  SBS2.5-V2.04.23

### 13b. KOSTAL PIKO BA



KOSTAL PIKO BA software version  $\geq$  xxxxxxxxxxxxxxxx